

# Bradford Open & Kirkman Trophy



11th May 2019



## **Kirkman Trophy Bradford 11th May 2019**

### Organising Committee

Organiser	Malcolm HARRISON
Registration	Julie FLETCHER
Registration	Paula JOHNSON

### Officials

Referee	Simon ROBERTSON
Assistant Referee	Pete WORTH
Assistant Referee	Lloyd CAMPION
Starters	Sarah WATTS, Gideon VELDSMAN
Competitors Steward	Andi THORNTON
Announcer	Gail SAYLES
Heat Box	Ali NISBET GRANT
Time Keeper/Line Judge	Tina NOBLE
Time Keeper/Line Judge	Sue WILLIAMS
Time Keeper/Line Judge	Carol GALLON
Time Keeper/Line Judge	Nina DALILI
Time Keeper/Line Judge	Adele VELDSMAN, Lisa JUDSON
Lap Scorer	Pete HYNES, Paul WILLS
Ice Maintenance/Track St.	Gez SEWELL
Ice Maintenance/Track St.	Eddie HEDLEY
Track Steward	Paul DEAN, Dave WOOD, Clive SMALLMAN
Information Distribution	Velvet BROUGHTON-JAMES Gemma BRUMFITT, Caitlin CAREW-SAYLES
First Aid	BRADFORD ICE ARENA
Skate Guard runners	Gordon WORSLEY, Wendy COOPER

## Competitors by Club

### ALDWYCH

36	Paul	CONNAGHTON	Master
59	Peter	RICHES	Junior B
101	Philippa	DRAPER	Junior C
129	Albie	BARLOW	Junior E
132	Solomon	PREMPEH	Junior B
233	Daniel	TROWBRIDGE	Junior E
267	Dante	DALILI	Junior E
298	Julia	BRANAGAN	Master
902	Jonathan	EVANS	Nov Jun
903	Pasha	LASHGARI	Nov Jun

### ALTRINCHAM

4	Hannah	GRANT	Junior A
69	Helena	LATHWELL WATTS	Junior C
231	Oliver	GOTTS	Junior E
272	Mike	RIDLEY	Master

### BRADFORD

34	Tom	MARDELL	Junior D
236	Nathaneal	BROUGHTON-JAMES	Junior D
241	Chris	SAYLES	Master
278	Brandon	MARVELL	Junior E
296	Nicky	GAWITH	Junior B
904	Kate	ARCHBOLD	Nov Jun
905	Thomas	CAREW-SAYLES	Nov Jun
919	Ellen	ARCHBOLD	Nov Sen
920	Andrew	FREAR	Nov Sen
921	Tom	LYONS	Nov Sen
924	Tony	MARTIN	Nov Sen

### MOHAWKS

78	Helen	KIRKBY	Ladies
259	Ethan	SMITH	Junior E

### NOTTINGHAM

37	Willem	MURRAY	Junior D
41	Freddie	POLAK	Junior D
79	Elliot	BAKER	Junior D
97	Margaret	SUKIENNIK	Masters
107	Arty	CLAREY	Junior D
114	Charlie	CAMPION	Junior C
154	Katie	ROOME	Junior D
161	Emma	GRAYSON	Junior D
248	Sam	LLOYD	Junior C
254	Caera	BAKER	Junior E
262	Lucie	MCKEE	Junior D
276	Arran	MURRAY	Junior E
302	Sophie	ROBERTSON	Junior C
907	Hubert	MOSZCYNski	Nov Jun
908	David	MOSZCYNski	Nov Jun

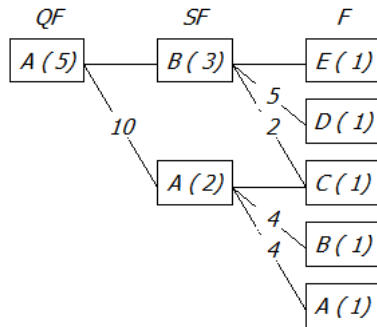
### SHEFFIELD

15	Matt	GARDNER	Junior B
33	Keith	WRIGHT	Master
39	Fern	TAYLOR	Ladies
42	Fiona	HARRISON	Ladies
125	Johanco	VELDSMAN	Junior A
135	Bradley	WILLS	Junior A
260	Savi	GRAY BUFFEY	Junior E
261	Cohen	GRAY BUFFEY	Junior E
263	Sam	GARDNER	Junior D
910	Rebecca	HARWOOD	Nov Jun
911	Emily	HELLIWELL	Nov Jun

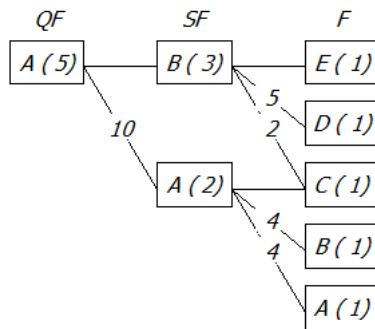
## Conditions of Contest

### Individual Racing

Group 1 (21) racing will be over 1/2 mile and 1/4 mile, 3 rounds all finals system, prizes will be awarded to top 3 ladies and top 3 men.



Group 2 (21) racing will be over 5 laps and 3 laps, 3 rounds all finals system, prizes will be awarded to top 3 Junior D's and top 3 Junior E's.



### Novice Racing

There are 2 groups, both groups will race 4 rounds on points, if there is a tie on points at the end of the 4 rounds, the fastest time in round 1 will prevail.

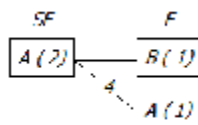
Points Senior novices : 5,4,3,2,1

Points junior novices : 9,8,7,6,5,4,3,2,1

### Relay Racing

There are 2 Groups each group can have 7 teams of 3

Senior Group – Teams can be made from any of the skaters in Group 1. Semi finals and Final B will be over 2000m, Final A for the Kirkman Trophy will be over 3000m. First and second in each semi final progress to the A final.



Junior Group – Teams can be made from any of the skaters in Group 2. Semi finals and Final will be over 1400M. The skaters not racing in the A final can race a devil.

There may be changes to the program after check in, and as time permits – the ice clean track can only happen if we are running to time.



Kirkman Trophy  
Bradford  
11th May 2019



## Detailed Programme

May 11, 2019

15:50						
						<i>Pads on</i>
16:00						<i>Warming up , Group 1</i>
16:04						<i>Warming up , Group 2</i>
16:08						<i>Warming up , Jun &amp; Sen Novice</i>
16:15	Jun Nov	2 laps -1	Final	Group 1		1
16:17	Sen Nov	3 laps -1	Final	Group 1		2
16:19	Group 2	5 laps	Quarter Finals	Group 1		3 - 7
16:32	Group 1	1/2 Mile	Quarter Finals	Group 1		8 - 12
16:50	Jun Nov	2 laps -2	Final	Group 1		13
16:53	Sen Nov	2 laps -1	Final	Group 1		14
16:55						<i>Ice Res (Track)</i>
17:05	Group 2	3 laps	Semi Final	Group 2		15 - 17
17:13	Group 2	3 laps	Semi Final	Group 1		18 - 19
17:18	Group 1	1/4 Mile	Semi Final	Group 2		20 - 22
17:30	Group 1	1/4 Mile	Semi Final	Group 1		23 - 24
17:35	Jun Nov	2 laps -3	Final	Group 1		25
17:37	Sen Nov	3 laps -2	Final	Group 1		26
						<i>cancelled</i>
						( 27 - 28 )
17:40	Group 1	2000m Relay	Semi Final	Group 1		29 - 30
17:52						<i>Ice Res (Full)</i>
18:07	Group 2	3 laps	Final	Group 5		31
18:09	Group 2	3 laps	Final	Group 4		32
18:12	Group 2	5 laps	Final	Group 3		33
18:15	Group 2	5 laps	Final	Group 2		34
18:17	Group 2	5 laps	Final	Group 1		35
18:20	Group 1	1/4 Mile	Final	Group 5		36
18:23	Group 1	1/4 Mile	Final	Group 4		37
18:25	Group 1	1/2 Mile	Final	Group 3		38
18:29	Group 1	1/2 Mile	Final	Group 2		39
18:32	Group 1	1/2 Mile	Final	Group 1		40
18:36	Jun Nov	2 laps -4	Final	Group 1		41
18:39	Sen Nov	2 laps -2	Final	Group 1		42
18:41	Group 2	Devil	Final	Group 2		43
18:44	Group 2	1400m Relay	Final	Group 1		44
18:48	Group 1	2000m Relay	Final	Group 2		45
18:54	Group 1	3000m Relay	Final	Group 1		46
19:02						<i>Pads off</i>

*The program is tentative and subject to change. Starting times will follow the flow of the competition.*

## Group 1

33	Keith WRIGHT	SHF	Master
36	Paul CONNAGHTON	ALD	Master
97	Margaret Sukiennik	NOT	Masters
241	Chris SAYLES	BFD	Master
272	Mike Ridley	ALT	Master
298	Julia BRANAGAN	ALD	Master
39	Fern TAYLOR	SHF	Ladies
42	Fiona HARRISON	SHF	Ladies
78	Helen KIRKBY	MOH	Ladies
4	Hannah GRANT	ALT	Junior A
125	Johanco VELDSMAN	SHF	Junior A
135	Bradley WILLS	SHF	Junior A
15	Matt GARDNER	SHF	Junior B
59	Peter RICHES	ALD	Junior B
132	Solomon PREMPEH	ALD	Junior B
296	Nicky GAWITH	BFD	Junior B
69	Helena LATHWELL WATTS	ALT	Junior C
101	Philippa DRAPER	ALD	Junior C
114	Charlie CAMPION	NOT	Junior C
248	Sam LLOYD	NOT	Junior C
302	Sophie ROBERTSON	NOT	Junior C

## Senior Novice

919	Ellen ARCHBOLD	BFD	Nov Sen
920	Andrew FREAR	BFD	Nov Sen
921	Tom LYONS	BFD	Nov Sen
924	Tony Martin	BFD	Nov Sen

## Group 2

34	Tom MARDELL	BFD	Junior D
37	Willem MURRAY	NOT	Junior D
41	Freddie POLAK	NOT	Junior D
79	Elliott BAKER	NOT	Junior D
107	Arty CLAREY	NOT	Junior D
154	Katie Roome	NOT	Junior D
161	Emma GRAYSON	NOT	Junior D
236	Nathaneal BROUGHTON-JAMES	BFD	Junior D
262	Lucie MCKEE	NOT	Junior D
263	Sam GARDNER	SHF	Junior D
129	Albie BARLOW	ALD	Junior E
231	Oliver GOTTS	ALT	Junior E
233	Daniel TROWBRIDGE	ALD	Junior E
254	Caera BAKER	NOT	Junior E
259	Ethan SMITH	MOH	Junior E
260	Savi GRAY BUFFEY	SHF	Junior E
261	Cohen GRAY BUFFEY	SHF	Junior E
267	Dante DALILI	ALD	Junior E
276	Arran MURRAY	NOT	Junior E
278	Brandon MARVELL	BFD	Junior E

## Junior Novice

902	Jonathan EVANS	ALD	Nov Jun
903	Pasha LASHGARI	ALD	Nov Jun
904	Kate ARCHBOLD	BFD	Nov Jun
905	Thomas CAREW-SAYLES	BFD	Nov Jun
907	Hubert Moszcynski	NOT	Nov Jun
908	David Moszcynski	NOT	Nov Jun
910	Rebecca HARWOOD	SHF	Nov Jun
911	Emily HELLIWELL	SHF	Nov Jun



# Kirkman Trophy

Bradford

11th May 2019



## Final 2 laps -1 Jun Nov

### Race 1, Group 1 (1 of 1)

Fin	Nr	Name	Abr	Nat	Time	Pnts	>>
1	902	Jonathan EVANS	ALD	---	0.00	9	
2	903	Pasha LASHGARI	ALD	---	0.00	8	
3	907	Hubert MOSZCYNski	NOT	---	0.00	7	
4	905	Thomas CAREW-SAYLES	BFD	---	0.00	6	
5	910	Rebecca HARWOOD	SHF	---	0.00	5	
6	904	Kate ARCHBOLD	BFD	---	0.00	4	
7	911	Emily HELLIWELL	SHF	---	0.00	3	
8	908	David MOSZCYNski	NOT	---	0.00	2	
9	916	Ben MARSHALL	SHF	---	0.00	1	

## Final 3 laps -1 Sen Nov

### Race 2, Group 1 (1 of 1)

Fin	Nr	Name	Abr	Nat	Time	Pnts	>>
1	919	Ellen ARCHBOLD	BFD	---	43.29	5	
2	924	Tony MARTIN	BFD	---	46.15	4	
3	920	Andy FREAR	BFD	---	52.75	3	
4	921	Tom LYONS	BFD	---	53.40	2	

## Quarter Finals 5 laps Group 2

### Race 3, Group 1 (1 of 5)

Fin	Nr	Name	Abr	Nat	Time	Pnts	>>
1	41	Freddie POLAK	NOT	---	54.64		
2	278	Brandon MARVELL	BFD	---	1:07.70		
3	262	Lucie MCKEE	NOT	---	1:10.49		
4	233	Daniel TROWBRIDGE	ALD	---	1:14.08		

### Race 4, Group 1 (2 of 5)

Fin	Nr	Name	Abr	Nat	Time	Pnts	>>
1	107	Arty CLAREY	NOT	---	59.41		
2	267	Dante DALILI	ALD	---	1:04.10		
3	254	Caera BAKER	NOT	---	1:13.24		
4	261	Cohen GRAY BUFFEY	SHF	---	1:16.40		

### Race 5, Group 1 (3 of 5)

Fin	Nr	Name	Abr	Nat	Time	Pnts	>>
1	37	Willem MURRAY	NOT	---	1:01.94		
2	34	Tom MARDELL	BFD	---	1:03.20		
3	260	Savi GRAY BUFFEY	SHF	---	1:04.08		
4	154	Katie ROOME	NOT	---	1:12.40		

### Race 6, Group 1 (4 of 5)

Fin	Nr	Name	Abr	Nat	Time	Pnts	>>
1	161	Emma GRAYSON	NOT	---	1:01.90		
2	259	Ethan SMITH	MOH	---	1:05.30		
3	236	Nathaneal BROUGHTON-JAMES	BFD	---	1:07.80		
4	231	Oliver GOTTS	ALT	---	1:13.50		
5	276	Arran MURRAY	NOT	---	1:22.96		

### Race 7, Group 1 (5 of 5)

Fin	Nr	Name	Abr	Nat	Time	Pnts	>>
1	129	Albie BARLOW	ALD	---	1:02.75		
2	79	Elliot BAKER	NOT	---	1:03.00		
3	263	Sam GARDNER	SHF	---	1:16.07		
ns	258	Grace FENTON	MOH	---	--		dns

## Quarter Finals 1/2 Mile Group 1

### Race 8, Group 1 (1 of 5)

Fin	Nr	Name	Abr	Nat	Time	Pnts	>>
1	132	Solomon PREMPEH	ALD	---	1:29.20		
2	39	Fern TAYLOR	SHF	---	1:33.32		
3	248	Sam LLOYD	NOT	---	1:36.16		
4	241	Chris SAYLES	BFD	---	1:46.38		

### Race 9, Group 1 (2 of 5)

Fin	Nr	Name	Abr	Nat	Time	Pnts	>>
1	59	Peter RICHES	ALD	---	1:35.09		
2	33	Keith WRIGHT	SHF	---	1:38.30		
3	69	Helena LATHWELL-WATTS	ALT	---	1:38.82		
4	97	Margaret SUKIENNIK	NOT	---	1:57.94		



Kirkman Trophy  
Bradford  
11th May 2019



Quarter Finals 1/2 Mile Group 1 (...)

Race 10, Group 1 (3 of 5)

Fin	Nr	Name	Abr	Nat	Time	Pnts	>>
1	135	Bradley WILLS	SHF	---	1:17.87		
2	114	Charlie CAMPION	NOT	---	1:23.70		
3	101	Philippa DRAPER	ALD	---	1:23.95		
4	272	Mike RIDLEY	ALT	---	1:31.48		

Race 11, Group 1 (4 of 5)

Fin	Nr	Name	Abr	Nat	Time	Pnts	>>
1	15	Matt GARDNER	SHF	---	1:30.70		
2	78	Helen KIRKBY	MOH	---	1:40.09		
3	4	Hannah GRANT	ALT	---	1:44.50		
4	36	Paul CONNAGHTON	ALD	---	1:52.10		

Race 12, Group 1 (5 of 5)

Fin	Nr	Name	Abr	Nat	Time	Pnts	>>
1	125	Johanco VELDSMAN	SHF	---	1:32.10		
2	302	Sophie ROBERTSON	NOT	---	1:36.02		
3	42	Fiona HARRISON	SHF	---	1:41.81		
4	296	Nicky GAWITH	BFD	---	1:50.42		
5	298	Julia BRANAGAN	ALD	---	2:09.72		

Final 2 laps -2 Jun Nov

Race 13, Group 1 (1 of 1)

Fin	Nr	Name	Abr	Nat	Time	Pnts	>>
1	902	Jonathan EVANS	ALD	---	0.00	9	
2	903	Pasha LASHGARI	ALD	---	0.00	8	
3	907	Hubert MOSZCZYNSKI	NOT	---	0.00	7	
4	905	Thomas CAREW-SAYLES	BFD	---	0.00	6	
5	911	Emily HELLIWELL	SHF	---	0.00	5	
6	908	David MOSZCZYNSKI	NOT	---	0.00	4	
7	910	Rebecca HARWOOD	SHF	---	0.00	3	
8	916	Ben MARSHALL	SHF	---	0.00	2	
9	904	Kate ARCHBOLD	BFD	---	0.00	1	

Final 2 laps -1 Sen Nov

Race 14, Group 1 (1 of 1)

Fin	Nr	Name	Abr	Nat	Time	Pnts	>>
1	924	Tony MARTIN	BFD	---	29.54	5	
2	919	Ellen ARCHBOLD	BFD	---	--	4	
3	920	Andy FREAR	BFD	---	35.88	3	
4	921	Tom LYONS	BFD	---	37.60	2	

Semi Final 3 laps Group 2

Race 15, Group 2 (1 of 3)

Fin	Nr	Name	Abr	Nat	Time	Pnts	>>
1	262	Lucie MCKEE	NOT	---	39.70		
2	263	Sam GARDNER	SHF	---	45.27		
3	233	Daniel TROWBRIDGE	ALD	---	45.45		
4	276	Arran MURRAY	NOT	---	49.82		

Race 16, Group 2 (2 of 3)

Fin	Nr	Name	Abr	Nat	Time	Pnts	>>
1	260	Savi GRAY BUFFEY	SHF	---	39.59		
2	231	Oliver GOTTS	ALT	---	42.01		
3	154	Katie ROOME	NOT	---	43.69		

Race 17, Group 2 (3 of 3)

Fin	Nr	Name	Abr	Nat	Time	Pnts	>>
1	236	Nathaneal BROUGHTON-JAMES	BFD	---	40.70		
2	261	Cohen GRAY BUFFEY	SHF	---	41.49		
3	254	Caera BAKER	NOT	---	43.92		

Race 18, Group 1 (1 of 2)

Fin	Nr	Name	Abr	Nat	Time	Pnts	>>
1	41	Freddie POLAK	NOT	---	46.89		
2	37	Willem MURRAY	NOT	---	47.82		
3	129	Albie BARLOW	ALD	---	48.36		
4	34	Tom MARDELL	BFD	---	50.50		
5	259	Ethan SMITH	MOH	---	50.51		





# Kirkman Trophy

Bradford

11th May 2019



## Semi Final 3 laps Group 2 (...)

### Race 19, Group 1 (2 of 2)

Fin	Nr	Name	Abr	Nat	Time	Pnts	>>
1	107	Arty CLAREY	NOT	---	35.04		
2	161	Emma GRAYSON	NOT	---	36.66		
3	79	Elliot BAKER	NOT	---	38.14		
4	267	Dante DALILI	ALD	---	38.88		
5	278	Brandon MARVELL	BFD	---	41.79		

## Semi Final 1/4 Mile Group 1

### Race 20, Group 2 (1 of 3)

Fin	Nr	Name	Abr	Nat	Time	Pnts	>>
1	69	Helena LATHWELL-WATTS	ALT	---	47.41		
2	42	Fiona HARRISON	SHF	---	48.59		
3	36	Paul CONNAGHTON	ALD	---	52.43		
4	97	Margaret SUKIENNIK	NOT	---	52.90		

### Race 21, Group 2 (2 of 3)

Fin	Nr	Name	Abr	Nat	Time	Pnts	>>
1	248	Sam LLOYD	NOT	---	46.71		
2	4	Hannah GRANT	ALT	---	50.18		
3	298	Julia BRANAGAN	ALD	---	1:03.70		
p	296	Nicky GAWITH	BFD	---	--		penalty

### Race 22, Group 2 (3 of 3)

Fin	Nr	Name	Abr	Nat	Time	Pnts	>>
1	101	Philippa DRAPER	ALD	---	46.97		
2	241	Chris SAYLES	BFD	---	49.51		
3	272	Mike RIDLEY	ALT	---	50.40		

### Race 23, Group 1 (1 of 2)

Fin	Nr	Name	Abr	Nat	Time	Pnts	>>
1	132	Solomon PREMPEH	ALD	---	41.70		
2	78	Helen KIRKBY	MOH	---	48.64		
3	39	Fern TAYLOR	SHF	---	57.02		
nf	114	Charlie CAMPION	NOT	---	--		dnf
p	15	Matt GARDNER	SHF	---	--		penalty

### Race 24, Group 1 (2 of 2)

Fin	Nr	Name	Abr	Nat	Time	Pnts	>>
1	135	Bradley WILLS	SHF	---	40.00		
2	59	Peter RICHES	ALD	---	40.30		
3	125	Johanco VELDSMAN	SHF	---	41.18		
4	302	Sophie ROBERTSON	NOT	---	45.12		adv F
5	33	Keith WRIGHT	SHF	---	50.76		

## Final 2 laps -3 Jun Nov

### Race 25, Group 1 (1 of 1)

Fin	Nr	Name	Abr	Nat	Time	Pnts	>>
1	902	Jonathan EVANS	ALD	---	0.00	9	
2	903	Pasha LASHGARI	ALD	---	0.00	8	
3	907	Hubert MOSZCZYNSKI	NOT	---	0.00	7	
4	905	Thomas CAREW-SAYLES	BFD	---	0.00	6	
5	911	Emily HELLIWELL	SHF	---	0.00	5	
6	908	David MOSZCZYNSKI	NOT	---	0.00	4	
7	910	Rebecca HARWOOD	SHF	---	0.00	3	
8	916	Ben MARSHALL	SHF	---	0.00	2	
9	904	Kate ARCHBOLD	BFD	---	0.00	1	

## Final 3 laps -2 Sen Nov

### Race 26, Group 1 (1 of 1)

Fin	Nr	Name	Abr	Nat	Time	Pnts	>>
1	919	Ellen ARCHBOLD	BFD	---	43.49	5	
2	924	Tony MARTIN	BFD	---	46.05	4	
3	920	Andy FREAR	BFD	---	51.85	3	
4	921	Tom LYONS	BFD	---	53.78	2	



Kirkman Trophy  
Bradford  
11th May 2019



Semi Final 2000m Relay Group 1 (...)

Race 29, Group 1 (1 of 2)

Fin	Nr	Name	Abr	Nat	Time	Pnts	>>
1	1	Aldwych		GBR	3:29.82		
		59 Peter RICHES					
		101 Philippa DRAPER					
		132 Solomon PREMPEH					
2	5	Sheffield 2		GBR	3:50.90		
		33 Keith WRIGHT					
		39 Fern TAYLOR					
		42 Fiona HARRISON					
3	6	Mixed 1		GBR	3:59.71		
		78 Helen KIRKBY					
		241 Chris SAYLES					
		296 Nicky GAWITH					

Race 30, Group 1 (2 of 2)

Fin	Nr	Name	Abr	Nat	Time	Pnts	>>
1	4	Sheffield 1		GBR	3:29.49		
		15 Matt GARDNER					
		125 Johanco VELDSMAN					
		135 Bradley WILLS					
2	3	Nottingham		GBR	3:48.39		
		114 Charlie CAMPION					
		248 Sam LLOYD					
		302 Sophie ROBERTSON					
3	2	Altrincham		GBR	4:01.71		
		4 Hannah GRANT					
		69 Helena LATHWELL-WATTS					
		272 Mike RIDLEY					
4	7	Mixed 2		GBR	4:34.58		
		36 Paul CONNAGHTON					
		97 Margaret SUKIENNIK					
		298 Julia BRANAGAN					

Final 3 laps Group 2

Race 31, Group 5 (1 of 1)

Fin	Nr	Name	Abr	Nat	Time	Pnts	>>
1	233	Daniel TROWBRIDGE	ALD	---	41.58		
2	254	Caera BAKER	NOT	---	44.78		
3	276	Arran MURRAY	NOT	---	54.99		

Race 32, Group 4 (1 of 1)

Fin	Nr	Name	Abr	Nat	Time	Pnts	>>
1	236	Nathaneal BROUGHTON-JAMES	BFD	---	40.64		
2	261	Cohen GRAY BUFFEY	SHF	---	41.42		
3	231	Oliver GOTTS	ALT	---	41.72		
4	154	Katie ROOME	NOT	---	43.93		
5	263	Sam GARDNER	SHF	---	46.06		

Final 5 laps Group 2

Race 33, Group 3 (1 of 1)

Fin	Nr	Name	Abr	Nat	Time	Pnts	>>
1	260	Savi GRAY BUFFEY	SHF	---	1:04.50		
2	259	Ethan SMITH	MOH	---	1:04.65		
3	262	Lucie MCKEE	NOT	---	1:06.44		
4	278	Brandon MARVELL	BFD	---	1:10.72		

Race 34, Group 2 (1 of 1)

Fin	Nr	Name	Abr	Nat	Time	Pnts	>>
1	79	Elliot BAKER	NOT	---	1:02.39		
2	129	Albie BARLOW	ALD	---	1:02.89		
3	34	Tom MARDELL	BFD	---	1:03.27		
4	267	Dante DALILI	ALD	---	1:17.20		

Race 35, Group 1 (1 of 1)

Fin	Nr	Name	Abr	Nat	Time	Pnts	>>
1	41	Freddie POLAK	NOT	---	54.97		
2	107	Arty CLAREY	NOT	---	55.38		
3	37	Willem MURRAY	NOT	---	59.36		
4	161	Emma GRAYSON	NOT	---	1:04.75		



# Kirkman Trophy

Bradford

11th May 2019



## Distance Classification 5 laps Group 2

#	Name	Team	ISU	Fin	Time
<b>Final Group 1</b>					
1	41	Freddie POLAK	NOT	1	1-1-1 54.64
2	107	Arty CLAREY	NOT	2	1-1-2 55.38
3	37	Willem MURRAY	NOT	3	1-2-3 59.36
4	161	Emma GRAYSON	NOT	4	1-2-4 1:01.90
<b>Final Group 2</b>					
5	79	Elliot BAKER	NOT	1	2-3-1 1:02.39
6	129	Albie BARLOW	ALD	2	1-3-2 1:02.75
7	34	Tom MARDELL	BFD	3	2-4-3 1:03.20
8	267	Dante DALILI	ALD	4	2-4-4 1:04.10
<b>Final Group 3</b>					
9	260	Savi GRAY BUFFEY	SHF	1	3-1-1 1:04.08
10	259	Ethan SMITH	MOH	2	2-5-2 1:04.65
11	262	Lucie MCKEE	NOT	3	3-1-3 1:06.44
12	278	Brandon MARVELL	BFD	4	2-5-4 1:07.70
<b>Final Group 4</b>					
13	236	Nathaneal BROUGHTON-JAMES	BFD	1	3-1-1 1:07.80
14	261	Cohen GRAY BUFFEY	SHF	2	4-2-2 1:16.40
15	231	Oliver GOTTS	ALT	3	4-2-3 1:13.50
16	154	Katie ROOME	NOT	4	4-3-4 1:12.40
17	263	Sam GARDNER	SHF	5	3-2-5 1:16.07
<b>Final Group 5</b>					
18	233	Daniel TROWBRIDGE	ALD	1	4-3-1 1:14.08
19	254	Caera BAKER	NOT	2	3-3-2 1:13.24
20	276	Arran MURRAY	NOT	3	5-4-3 1:22.96

## Final 1/4 Mile Group 1

### Race 36, Group 5 (1 of 1)

Fin	Nr	Name	Abr	Nat	Time	Pnts	>>
1	296	Nicky GAWITH	BFD	---	47.79		
2	36	Paul CONNAGHTON	ALD	---	51.28		
3	97	Margaret SUKIENNIK	NOT	---	51.77		
4	298	Julia BRANAGAN	ALD	---	1:02.80		

### Race 37, Group 4 (1 of 1)

Fin	Nr	Name	Abr	Nat	Time	Pnts	>>
1	15	Matt GARDNER	SHF	---	45.36		
2	4	Hannah GRANT	ALT	---	48.70		
3	42	Fiona HARRISON	SHF	---	49.65		
4	272	Mike RIDLEY	ALT	---	50.28		
p	114	Charlie CAMPION	NOT	---	--		penalty
ns	241	Chris SAYLES	BFD	---	--		dns

## Final 1/2 Mile Group 1

### Race 38, Group 3 (1 of 1)

Fin	Nr	Name	Abr	Nat	Time	Pnts	>>
1	101	Philippa DRAPER	ALD	---	1:33.65		
1	69	Helena LATHWELL-WATTS	ALT	---	1:36.16		
p	248	Sam LLOYD	NOT	---	--		penalty

### Race 39, Group 2 (1 of 1)

Fin	Nr	Name	Abr	Nat	Time	Pnts	>>
1	125	Johanco VELDSMAN	SHF	---	1:26.23		
2	39	Fern TAYLOR	SHF	---	1:36.29		
3	33	Keith WRIGHT	SHF	---	1:44.57		

### Race 40, Group 1 (1 of 1)

Fin	Nr	Name	Abr	Nat	Time	Pnts	>>
1	59	Peter RICHES	ALD	---	1:23.71		
2	135	Bradley WILLS	SHF	---	1:24.11		
3	132	Solomon PREMPEH	ALD	---	1:26.79		
4	302	Sophie ROBERTSON	NOT	---	1:38.18		
5	78	Helen KIRKBY	MOH	---	1:52.34		



## Kirkman Trophy

Bradford

11th May 2019



## Distance Classification 1/2 Mile Group 1

#	Name	Team	ISU	Fin	Time
<b>Final Group 1</b>					
1	59 Peter RICHES	ALD		1	1-2-1 1:23.71
2	135 Bradley WILLS	SHF		2	1-1-2 1:17.87
3	132 Solomon PREMPEH	ALD		3	1-1-3 1:26.79
4	302 Sophie ROBERTSON	NOT		4	2-4-4 1:36.02
5	78 Helen KIRKBY	MOH		5	2-2-5 1:40.09
<b>Final Group 2</b>					
6	125 Johanco VELDSMAN	SHF		1	1-3-1 1:26.23
7	39 Fern TAYLOR	SHF		2	2-3-2 1:33.32
8	33 Keith WRIGHT	SHF		3	2-5-3 1:38.30
<b>Final Group 3</b>					
9	101 Philippa DRAPER	ALD		1	3-1-1 1:23.95
10	69 Helena LATHWELL-WATTS	ALT		1	3-1-1 1:36.16
11	248 Sam LLOYD	NOT		P	3-1-P 1:36.16
<b>Final Group 4</b>					
12	15 Matt GARDNER	SHF		1	1-P-1 1:30.70
13	4 Hannah GRANT	ALT		2	3-2-2 1:44.50
14	42 Fiona HARRISON	SHF		3	3-2-3 1:41.81
15	272 Mike RIDLEY	ALT		4	4-3-4 1:31.48
16	114 Charlie CAMPION	NOT		P	2-NF-P 1:23.70
17	241 Chris SAYLES	BFD		NS	4-2-NS 1:46.38
<b>Final Group 5</b>					
18	296 Nicky GAWITH	BFD		1	4-P-1 1:50.42
19	36 Paul CONNAGHTON	ALD		2	4-3-2 1:52.10
20	97 Margaret SUKIENNIK	NOT		3	4-4-3 1:57.94
21	298 Julia BRANAGAN	ALD		4	5-3-4 2:09.72

## Final 2 laps -4 Jun Nov

## Race 41, Group 1 (1 of 1)

Fin	Nr	Name	Abr	Nat	Time	Pnts	>>
1	902	Jonathan EVANS	ALD	---	0.00	9	
2	903	Pasha LASHGARI	ALD	---	0.00	8	
3	907	Hubert MOSZCYNski	NOT	---	0.00	7	
4	904	Kate ARCHBOLD	BFD	---	0.00	6	
5	905	Thomas CAREW-SAYLES	BFD	---	0.00	5	
6	910	Rebecca HARWOOD	SHF	---	0.00	4	
7	916	Ben MARSHALL	SHF	---	0.00	3	
8	911	Emily HELLIWELL	SHF	---	0.00	2	
9	908	David MOSZCYNski	NOT	---	0.00	1	

## Junior Novice Points

222m 222m 222m 222m

No.	Name	Club	Rnd 1	Rnd 2	Rnd 3	Rnd 4	Total
902	Jonathan EVANS	ALD	9	9	9	9	36
903	Pasha LASHGARI	ALD	8	8	8	8	32
907	Hubert Moszcynski	NOT	7	7	7	7	28
905	Thomas CAREW-SAYLES	BFD	6	6	6	5	23
911	Emily HELLIWELL	SHF	3	5	5	2	15
910	Rebecca HARWOOD	SHF	5	3	3	4	15
904	Kate ARCHBOLD	BFD	4	1	1	6	12
908	David Moszcynski	NOT	2	4	4	1	11
916	Ben MARSHALL	SHF	1	2	2	3	8



## Kirkman Trophy

Bradford

11th May 2019



## Final 2 laps -2 Sen Nov

## Race 42, Group 1 (1 of 1)

Fin	Nr	Name	Abr	Nat	Time	Pnts	>>
1	924	Tony MARTIN	BFD	---	28.90	5	
2	920	Andy FREAR	BFD	---	36.10	4	
3	921	Tom LYONS	BFD	---	36.79	3	
4	919	Ellen ARCHBOLD	BFD	---	--	2	

## Senior Novice Points

No.	Name	Club	Rnd 1	Rnd 2	Rnd 3	Rnd 4	Total
924	Tony Martin	BFD	4	5	4	5	18
919	Ellen ARCHBOLD	BFD	5	4	5	2	16
920	Andrew FREAR	BFD	3	3	3	4	13
921	Tom LYONS	BFD	2	2	2	3	9

## Devil Group 2

## Race 43, Group 2 (1 of 1)

Fin	Nr	Name	Abr	Nat	Time	Pnts	>>
1	259	Ethan SMITH	MOH	---	0.00		
2	231	Oliver GOTTS	ALT	---	0.00		
3	254	Caera BAKER	NOT	---	0.00		
4	276	Arran MURRAY	NOT	---	0.00		
5	154	Katie ROOME	NOT	---	0.00		

## Final 1400m Relay Group 2

## Race 44, Group 1 (1 of 1)

Fin	Nr	Name	Abr	Nat	Time	Pnts	>>
1	3	<b>Nottingham 1</b>	NOT1	GBR	2:45.20		
		37 Willem MURRAY					
		41 Freddie POLAK					
		107 Arty CLAREY					
2	4	<b>Nottingham 2</b>	NOT2	GBR	3:00.29		
		79 Elliot BAKER					
		161 Emma GRAYSON					
		262 Lucie MCKEE					
3	1	<b>Aldwych</b>	ALD	GBR	--		
		129 Albie BARLOW					
		233 Daniel TROWBRIDGE					
		267 Dante DALILI					
nf	2	<b>Bradford</b>	BFD	GBR	--		dnf
		34 Tom MARDELL					
		236 Nathaneal BROUGHTON-JAMES					
		278 Brandon MARVELL					

## Final 2000m Relay Group 1

## Race 45, Group 2 (1 of 1)

Fin	Nr	Name	Abr	Nat	Time	Pnts	>>
1	2	<b>Altrincham</b>		GBR	4:00.53		
		4 Hannah GRANT					
		69 Helena LATHWELL-WATTS					
		272 Mike RIDLEY					
2	6	<b>Mixed 1</b>		GBR	4:11.98		
		78 Helen KIRKBY					
		241 Chris SAYLES					
		296 Nicky GAWITH					
3	7	<b>Mixed 2</b>		GBR	4:34.30		
		36 Paul CONNAGHTON					
		97 Margaret SUKIENNIK					
		298 Julia BRANAGAN					



Kirkman Trophy  
Bradford  
11th May 2019



Final 3000m Relay Group 1

Race 46, Group 1 (1 of 1)

Fin	Nr	Name	Abr	Nat	Time	Pnts	>>
1	4	<b>Sheffield 1</b>		GBR	5:07.05		
		15 Matt GARDNER					
		125 Johanco VELDSMAN					
		135 Bradley WILLS					
2	1	<b>Aldwych</b>		GBR	5:10.10		
		59 Peter RICHES					
		101 Philippa DRAPER					
		132 Solomon PREMPEH					
3	3	<b>Nottingham</b>		GBR	5:44.50		
		114 Charlie CAMPION					
		248 Sam LLOYD					
		302 Sophie ROBERTSON					
4	5	<b>Sheffield 2</b>		GBR	5:45.47		
		33 Keith WRIGHT					
		39 Fern TAYLOR					
		42 Fiona HARRISON					

Distance Classification 3000m Relay Group 1

#	Name	Team	ISU	Fin	Time
Final Group 1					
1	4 Sheffield 1			1	1-1 5:07.05
2	1 Aldwych			2	1-2 5:10.10
3	3 Nottingham			3	2-3 5:44.50
4	5 Sheffield 2			4	2-4 5:45.47
Final Group 2					
5	2 Altrincham			1	3-1 4:00.53
6	6 Mixed 1			2	3-2 3:59.71
7	7 Mixed 2			3	4-3 4:34.30

**Group 1 Men**

- 1 Peter RICHES**
- 2 Bradley WILLS**
- 3 Solomon PREMPEH**

**Group 1 Ladies**

- 1 Sophie ROBERTSON**
- 2 Helen KIRKBY**
- 3 Fern TAYLOR**

**Group 2 Junior D**

- 1 Freddie POLAK**
- 2 Arty CLAREY**
- 3 Willem MURRAY**

**Group 2 Junior E**

- 1 Albie BARLOW**
- 2 Dante DALILI**
- 3 Savi GRAY BUFFEY**

**Junior Relay - Nottingham**

**Willem MURRAY**  
**Freddie POLAK**  
**Arty CLAREY**

**Kirkman Relay - Sheffield**

**Matt GARDNER**  
**Johanco VELDSMAN**  
**Bradley WILLS**

**Lady of the Match**

**Philippa DRAPER**

**Man of the Match**

**Bradley WILLS**